

DS-KIS312-P(B)
Hybrid HD Intercom Kit



- Hik-Connect mobile control
- HD TVI video quality
- 7 inch touch screen
- Plug & Play

▪ Specification

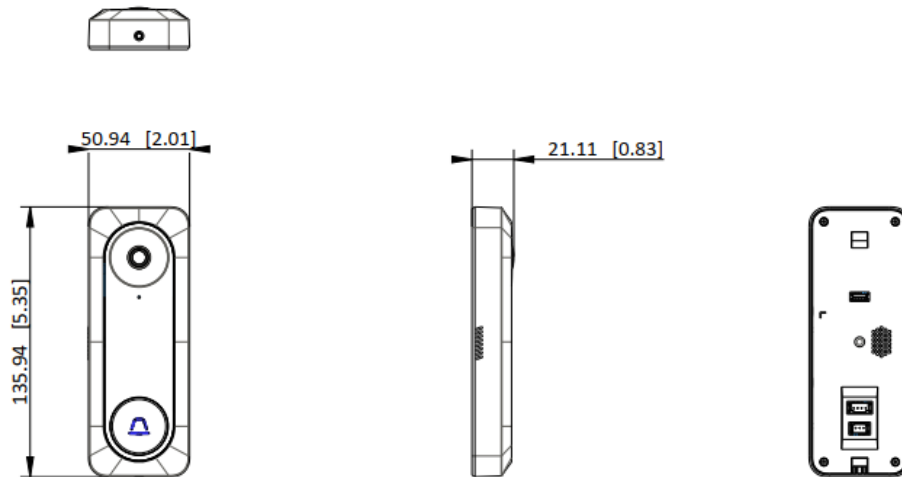
Door station	
Supplement light	IR light, up to 3 m
Resolution	Stream resolution:1280 * 720@60fps
FOV	Horizontal: 130° , Vertical: 70°
Door station	
Audio input	1 built-in omnidirectional microphone
Audio output	1 built-in loudspeaker
Door station	
Linked indoor station capacity	3
Sub door station capacity	1
Card capacity	/
Door station	
Lock control	1 relay, max 30 V 1 A
Power supply input	12 VDC
Debugging port	1
Four-Wire interface	1
Door station	
Button	1 physical button(s)
Indicator	/
Power supply	12 VDC
Power consumption	≤ 4 W
Working temperature	-30 °C to 60 °C (-22 °F to 140 °F)
Working humidity	10% to 90% (no-condensing)
Dimension (W × H × D)	50.94 mm × 135.94 mm × 20 mm (2" × 5.35" × 0.79")
Application environment	Indoor
Protective level	/
Installation	Surface mounting
Weight	Without package: 85 g (0.187 lb)
Material	Plastic
Indoor station	
Operation system	Embedded Linux operation system
RAM	128 MB
ROM	32 MB
Processor	Embedded high performance processor
Indoor station	
Type	Colorful TFT
Resolution	1024 × 600
Viewing Angle	Horizontal 160°, vertical 130°
Contrast	700 (Typ)
Luminance	250 cd/m ² (Typ)
Operating method	Capacitive touch screen
Screen size	7-inch
Indoor station	
Audio input	1 built-in omnidirectional microphone

Audio output	1 built-in loudspeaker
Audio compression bitrate	64 Kps
Audio compression standard	G.711U, G.711A
Audio quality	Noise suppression and echo cancellation
Indoor station	
Linked network camera capacity	/
Linked indoor extensions capacity	2
Linked doorphone capacity	2
Linked analog camera	1
Indoor station	
Wi-Fi	Wi-Fi 802.11 b/g/n
Indoor station	
Network interface	/
RS-485	/
Alarm input	2
Alarm output	/
Power supply input	12 VDC
TF card	Support TF card, up to 128 G
Debugging port	2
Four-Wire interface	4
Relay	/
Indoor station	
Button	0 physical button
Power supply	12 VDC
Power consumption	≤ 5 W
Working temperature	-10 °C to 50 °C (14 °F to 122 °F)
Working humidity	10% to 90% (no-condensing)
Dimension (W × H × D)	175 mm × 113.5 mm × 18.1 mm (6.89" × 4.47" × 0.71")
Installation	Surface mounting
Application environment	Indoor
Weight	Without package: 260 g (0.573 lb)
Language	English, Russian, Bulgarian, Hungarian, Greek, German, Italian, Czech, Slovak, French, Polish, Dutch, Portuguese (Brazil), Spanish, Hebrew, Romanian, Turkish, Estonian, Danish, Swedish, Norwegian, Finnish, Vietnamese, Croatian, Slovenian, Serbian, Arabic, Portuguese (Portugal), Lithuanian, Uzbek, Kazakh, Mongolian, Ukrainian, Latvian, Traditional Chinese

▪ Available Model

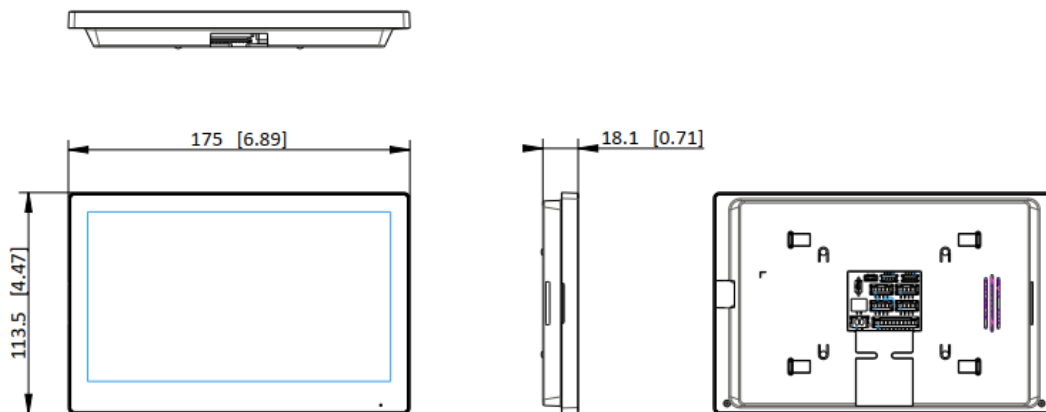
DS-KIS312-P(B)

▪ Dimension



Unit:mm [inch]



SCALE	1:1
-------	-----



Unit:mm [inch]

SCALE	1:1
-------	-----

- **Accessory**
- **Optional**

DS-KABH6350-T	DS-KABV24-A
	

See Far, Go Further



www.hikvision.com
support@hikvision.com

